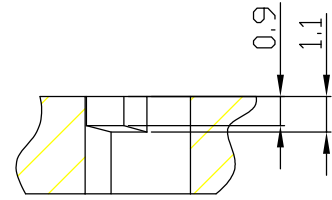
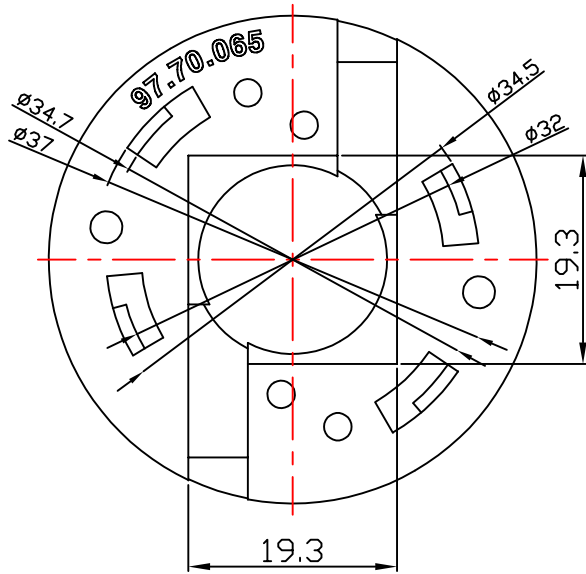
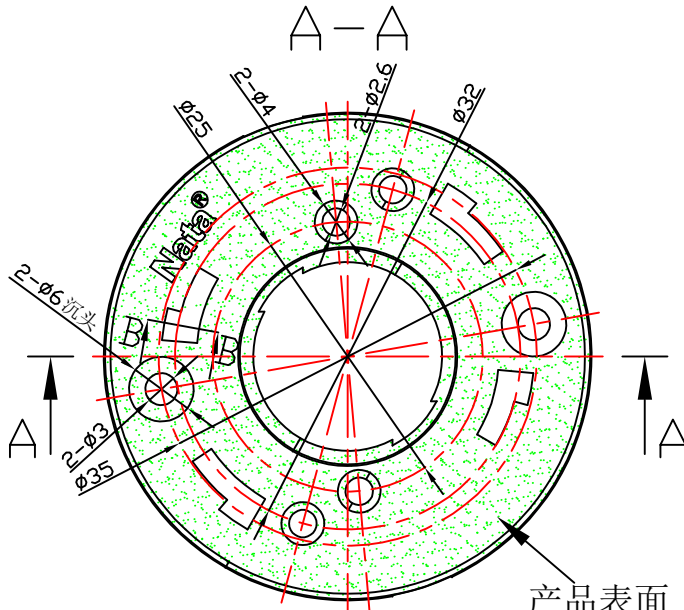
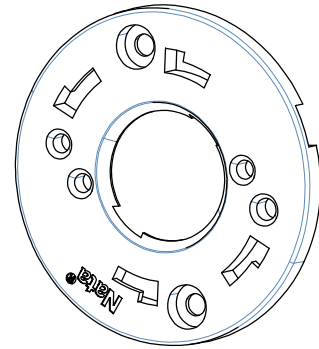
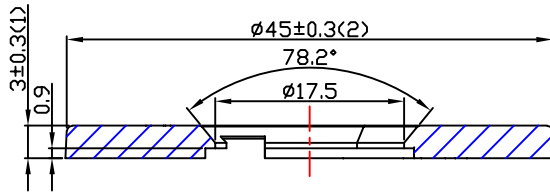


| table for unmentioned tolerance in the drawing (unit: mm) | | | | | |
|--------------------------------------------------------------|------|--------|---------|---------|---------|
| 0-5 | 5-30 | 30-120 | 120-250 | 250-400 | 400-700 |
| ±0.15 | ±0.2 | ±0.5 | ±0.8 | ±1.5 | ±2 |



卡导光柱处为有斜度台阶

B-B 3:1



产品表面做沙纹

| | | | | | | | | |
|------------------|---------------|-----------------|--------------|----------------|--------------|--|----------------------------------------------------------|--------------------|
| | | | | | Material:PC | | Nata [®] NATA Lighting Co.,Ltd | |
| | | | | | | | Customer Item | |
| | | | | | | | Customer Code | NT |
| | | | | | | | Product Number | 92. 70. 065. 00 |
| | | | | | | | Product Name | CLU03x支架 D45xH2. 8 |
| Mark | Amended Times | Amended Content | | Signature | Amended Date | | | |
| Controll Version | A3 | Design Version | KO | Client Version | 1:1 | | | |
| Designer | | Drawing by | | Proportion | | | | |
| Technology | | Auditor | | View | | | | |
| Approval | | Date | 2019. 05. 14 | Page | Total_ Page_ | | | |